

### Features

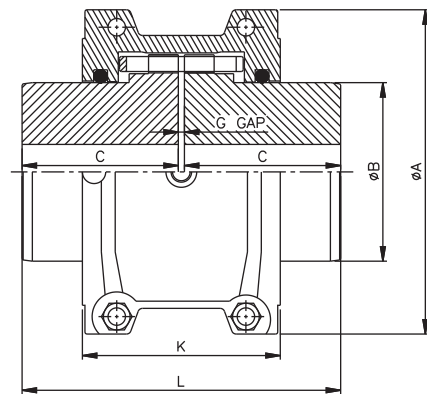
- Torsionally Flexible.
- Vibration dampening - reduced peak / shock loads.
- Accommodates angular, parallel & axial misalignments.
- Low operating cost.
- Smooth & quiet operation.
- Low & easy maintenance.
- Overload conditions cause the grid element to shear, like a mechanical fuse.
- Quick & easy installation.

### RGTH Coupling



### Applications

- Cement mills: Crushers and grinding machines.
- Steel mills: Coilers, cold mills, hot mills etc.
- Paper mills: Calendar, couch roll, suction roll, dryer drives etc.
- Sugar mills: Cane carrier and leveler, cane knife and crusher.
- General: Agitators, Blowers, conveyors, cranes etc.



### TECHNICAL DATA

| Coupling Size | KW at 100 rpm | Basic Torque (Nm) | Max. Speed (rpm) | Bore Dia (mm) |      | Dimensions (mm) |       |       |       |       | Gap (mm) | Lube weight (Kg) | Weight In (kg) |
|---------------|---------------|-------------------|------------------|---------------|------|-----------------|-------|-------|-------|-------|----------|------------------|----------------|
|               |               |                   |                  | Min.          | Max. | ØA              | ØB    | C     | K     | L     |          |                  |                |
| 1020          | 0.50          | 48                | 4500             | 13.0          | 30   | 101.5           | 39.7  | 47.5  | 66.5  | 98.0  | 3        | 0.03             | 1.9            |
| 1030          | 1.42          | 136               | 4500             | 13.0          | 36   | 110.0           | 49.2  | 47.5  | 68.0  | 98.0  | 3        | 0.03             | 2.6            |
| 1040          | 2.36          | 226               | 4500             | 13.0          | 44   | 117.5           | 57.1  | 51.0  | 70.0  | 104.5 | 3        | 0.05             | 3.4            |
| 1050          | 4.14          | 395               | 4500             | 13.0          | 51   | 138.0           | 66.7  | 60.0  | 79.5  | 123.5 | 3        | 0.05             | 5.4            |
| 1060          | 6.50          | 621               | 4350             | 19.5          | 57   | 150.5           | 76.2  | 63.5  | 92.0  | 130.0 | 3        | 0.09             | 7.3            |
| 1070          | 9.46          | 903               | 4125             | 19.5          | 68   | 162.0           | 87.3  | 76.0  | 95.0  | 155.5 | 3        | 0.11             | 10             |
| 1080          | 19.51         | 1863              | 3600             | 27.0          | 82   | 194.0           | 104.8 | 89.0  | 116.0 | 181.0 | 3        | 0.17             | 18             |
| 1090          | 35.47         | 3387              | 3600             | 27.0          | 95   | 213.0           | 123.8 | 98.5  | 122.0 | 200.0 | 3        | 0.25             | 25             |
| 1100          | 59.71         | 5702              | 2400             | 41.5          | 110  | 250.0           | 142.0 | 120.5 | 155.5 | 245.5 | 4.5      | 0.43             | 42             |
| 1110          | 88.67         | 8468              | 2250             | 41.5          | 120  | 270.0           | 160.3 | 127.0 | 161.5 | 258.5 | 4.5      | 0.51             | 54             |
| 1120          | 130.05        | 12420             | 2025             | 60.5          | 140  | 308.0           | 179.4 | 149.5 | 191.5 | 304.5 | 6        | 0.73             | 81             |
| 1130          | 189.17        | 18066             | 1800             | 66.5          | 170  | 346.0           | 217.5 | 162.0 | 195.0 | 330.0 | 6        | 0.91             | 121            |
| 1140          | 271.93        | 25969             | 1650             | 66.5          | 200  | 384.0           | 254.0 | 183.0 | 201.0 | 371.5 | 6        | 1.13             | 178            |
| 1150          | 378.34        | 36131             | 1500             | 108.0         | 215  | 453.0           | 269.2 | 183.0 | 271.0 | 372.0 | 6        | 1.95             | 234            |
| 1160          | 532.04        | 50810             | 1350             | 120.5         | 240  | 501.5           | 304.8 | 198.0 | 279.0 | 402.0 | 6        | 2.81             | 317            |
| 1170          | 709.38        | 67746             | 1225             | 133.5         | 280  | 566.5           | 355.6 | 216.0 | 304.0 | 438.0 | 6        | 3.49             | 448            |
| 1180          | 983.68        | 93941             | 1100             | 152.5         | 300  | 630.0           | 393.7 | 239.0 | 321.0 | 483.5 | 6        | 3.76             | 619            |
| 1190          | 1300.53       | 124201            | 1050             | 152.5         | 335  | 675.5           | 436.9 | 259.0 | 325.0 | 524.5 | 6        | 4.40             | 776            |
| 1200          | 1773.46       | 169365            | 900              | 179.0         | 360  | 757.0           | 497.8 | 279.5 | 355.5 | 565.0 | 6        | 5.62             | 1058           |
| 1210          | 2605.47       | 248822            | 820              | 178.0         | 390  | 844.5           | 533.4 | 305.0 | 432.0 | 622.5 | 12.7     | 10.5             | 1424           |
| 1220          | 3515.89       | 335768            | 730              | 203.0         | 420  | 920.5           | 571.5 | 325.1 | 490.0 | 663.0 | 12.7     | 16.1             | 1785           |

### Lubrication:

For quality lubrication to get good performance and long life, Rathi Special Grease (RSG) is highly recommended. After every three months or every 240 ~ 250 operating hours, required to add grease. Every 6 months or every 4000 operating hours required to replace all deteriorated grease.

### Features

- Vertical split cover: Ideal for higher running speeds and general purpose. Horizontal split also available for specific applications.
- Lubrication fittings: One or more lube holes in each half cover makes for easier lubrication. Fill through one and remove other plug for venting.
- Seals: Durable synthetic material prevents loss of lubricant & entrance of water, dust or other foreign materials.
- Hubs: Made of steel for maximum strength.
- Taper Grid: Made of high strength steel, quenched and tempered to spring hardness.

### RGTV Coupling



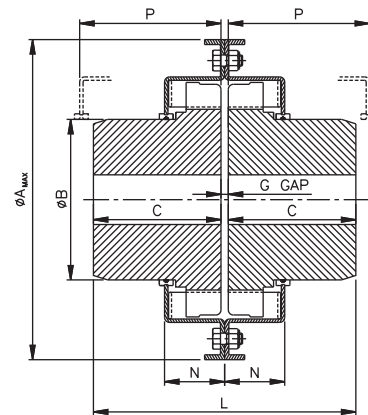
### Selection Procedure

1. Select appropriate service factor F.
2. Calculate coupling Torque T (kNm)

$$T = \frac{9.55 \times kW \times F}{N}$$

Where kW = Drive rated power (kW)  
N = Speed (rev./min)

3. Select coupling with the same or higher Torque.
4. Check hub bore capacity.
5. Check allowable speed.



### TECHNICAL DATA

| Coupling Size | KW at 100 RPM | Basic Torque (Nm) | Max. Speed (rpm) | Bore Dia (mm) |      | Dimensions (mm) |       |       |       |       |       | Gap (mm) | Lube weight (Kg) | Weight In (kg) |
|---------------|---------------|-------------------|------------------|---------------|------|-----------------|-------|-------|-------|-------|-------|----------|------------------|----------------|
|               |               |                   |                  | Min.          | Max. | ØA              | ØB    | C     | L     | N     | P     |          |                  |                |
| 1020          | 0.50          | 48                | 6000             | 13.0          | 30   | 111.0           | 39.7  | 47.5  | 98.0  | 24.0  | 47.5  | 3        | 0.03             | 2.0            |
| 1030          | 1.40          | 134               | 6000             | 13.0          | 36   | 121.0           | 49.2  | 47.5  | 98.0  | 25.0  | 47.5  | 3        | 0.03             | 2.6            |
| 1040          | 2.30          | 219               | 6000             | 13.0          | 44   | 128.5           | 57.1  | 51.0  | 104.5 | 25.5  | 51.0  | 3        | 0.05             | 3.4            |
| 1050          | 4.10          | 391               | 6000             | 13.0          | 51   | 147.5           | 66.7  | 60.5  | 123.5 | 31.0  | 60.5  | 3        | 0.05             | 5.4            |
| 1060          | 6.49          | 620               | 6000             | 19.0          | 57   | 162.0           | 76.2  | 63.5  | 130.0 | 32.0  | 63.5  | 3        | 0.09             | 7.3            |
| 1070          | 9.39          | 897               | 5500             | 19.0          | 68   | 173.0           | 87.3  | 76.0  | 155.5 | 33.5  | 76.0  | 3        | 0.11             | 10.4           |
| 1080          | 19.48         | 1860              | 4750             | 27.0          | 82   | 200.0           | 104.8 | 89.0  | 181.0 | 44.0  | 89.0  | 3        | 0.17             | 17.7           |
| 1090          | 34.96         | 3339              | 4000             | 27.0          | 95   | 232.0           | 123.8 | 98.5  | 200.0 | 47.5  | 98.5  | 3        | 0.25             | 25.4           |
| 1100          | 59.44         | 5676              | 3250             | 41.5          | 110  | 267.0           | 142.0 | 120.5 | 245.5 | 60.0  | 120.5 | 4.5      | 0.43             | 42.2           |
| 1110          | 87.90         | 8395              | 3000             | 41.5          | 120  | 286.0           | 160.3 | 127.0 | 258.5 | 64.0  | 127.0 | 4.5      | 0.51             | 54.4           |
| 1120          | 129.86        | 12401             | 2700             | 60.5          | 140  | 319.0           | 179.4 | 149.0 | 304.5 | 73.5  | 149.0 | 6        | 0.73             | 81.6           |
| 1130          | 188.79        | 18030             | 2400             | 67.0          | 170  | 378.0           | 217.5 | 162.0 | 330.0 | 75.0  | 162.0 | 6        | 0.91             | 122.5          |
| 1140          | 271.70        | 25948             | 2200             | 67.0          | 200  | 416.0           | 254.0 | 183.0 | 371.5 | 78.0  | 183.0 | 6        | 1.13             | 180.1          |
| 1150          | 378.59        | 36155             | 2000             | 108.0         | 215  | 476.5           | 269.2 | 183.0 | 372.0 | 107.0 | 183.0 | 6        | 1.95             | 230.0          |
| 1160          | 532.04        | 50810             | 1750             | 121.0         | 240  | 533.5           | 304.8 | 198.0 | 402.0 | 114.5 | 198.0 | 6        | 2.81             | 321.1          |
| 1170          | 709.38        | 67746             | 1600             | 133.5         | 280  | 584.0           | 355.6 | 216.0 | 438.0 | 120.0 | 216.0 | 6        | 3.49             | 448.2          |
| 1180          | 983.68        | 93941             | 1400             | 152.5         | 300  | 630.0           | 393.7 | 239.0 | 483.5 | 130.0 | 239.0 | 6        | 3.76             | 591.0          |
| 1190          | 1300.53       | 124201            | 1300             | 152.5         | 335  | 685.0           | 436.9 | 260.0 | 524.0 | 135.0 | 259.0 | 6        | 4.40             | 761.0          |
| 1200          | 1773.46       | 169365            | 1100             | 178.0         | 360  | 737.0           | 497.8 | 279.5 | 565.0 | 145.0 | 279.5 | 6        | 5.62             | 1021.0         |

- All dimensions are in mm unless otherwise specified.

In view of our constant endeavour to improve quality of our products, we reserve the right to alter or change specifications without prior notice. This document is the intellectual property of Rathi Transpower Pvt. Ltd. and subject to copyright.



### Rathi Transpower Pvt Ltd

Rathi Chambers, 7, Deccan College Road,  
Pune 411 006.(INDIA)  
Phone : 91-20-30517201  
Fax : 91-20-30517212  
E-mail : enquiry@rathigroup.com  
Website : www.rathicouplings.com

### Distributor